

CM

HORIZONTAL SINGLE STAGE - SURFACE PUMPS

- Highly reliable
- Sturdy and resistant
- High hydraulic performance
- Quite operation
- High-efficiency motors according to EU(2019)/1781



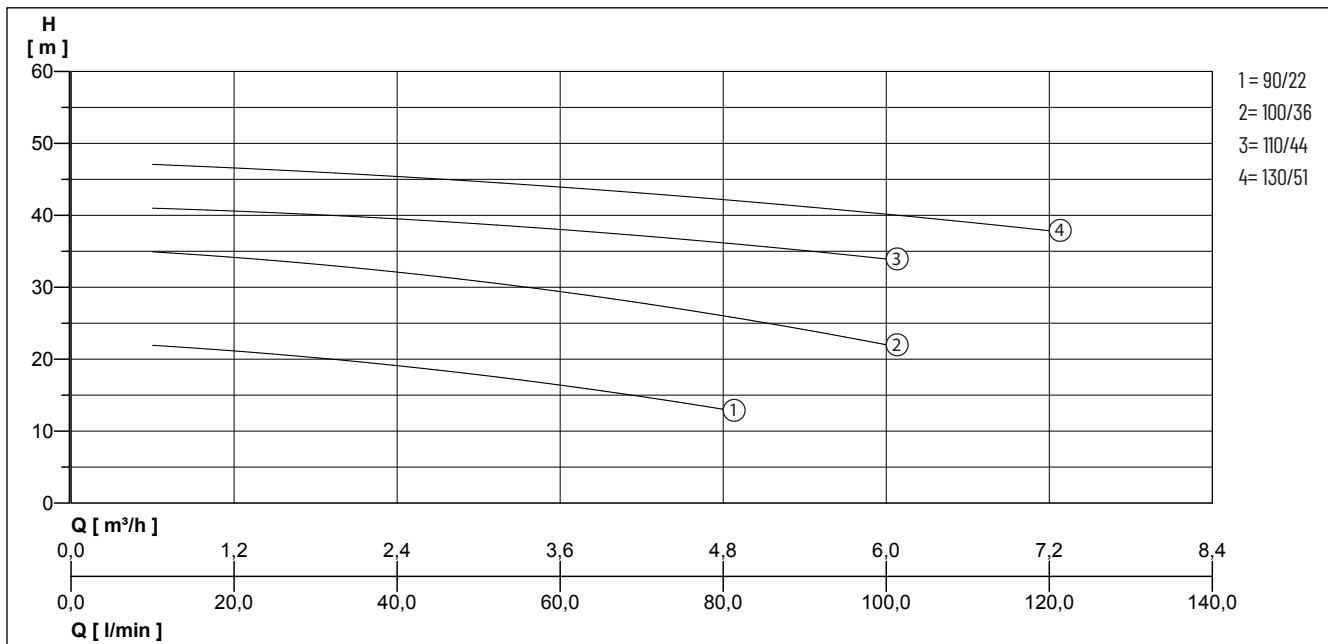
DESCRIPTION

The CM series of single impeller centrifugal pumps are silent with optimal hydraulic performance.

APPLICATIONS

- Lifting from wells for irrigation
- Pressurization systems
- Pressurization and supply
- Washing

PERFORMANCE



We reserve the right to change specifications without notice. Pump performance is subject to ISO 9906 ISO 9906:2012 - Grade 3B tolerances. MEI ≥ 0.4 - Reference MEI ≥ 0.70 - The information on the reference efficiency is available at the address: www.europump.org/efficiencycharts

Type	Flow rate Q [m³/h]	0.6	1.8	3	4.8	6	7.2
CM 100/36 M/T	Delivery head H [m]	35	33	31	26	22	
CM 110/44 M/T		41	40	39	36	34	
CM 130/51 M/T		47	46	45	42	40	38

CM

HORIZONTAL SINGLE STAGE - SURFACE PUMPS

MECHANICAL DATA

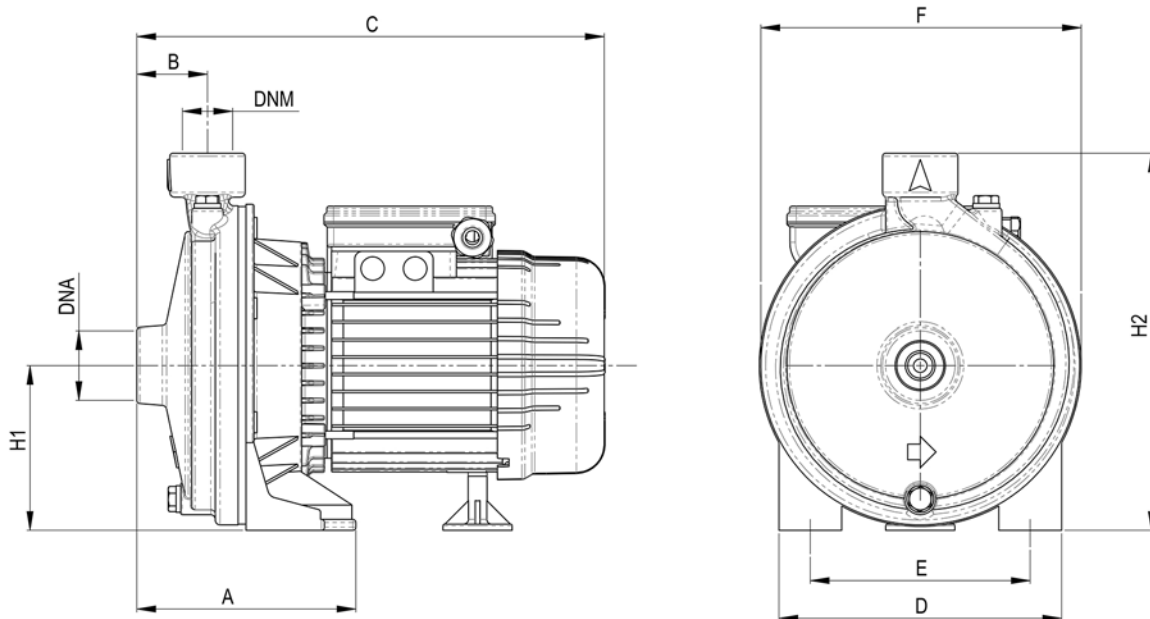
Shaft	Stainless steel X 12 CrNiS 1809 (AISI 416)	Operating pressure max.	8 bar
Impeller	Brass	Type of liquid	clear or slightly turbid non-abrasive water
Motor housing	Cast iron EN GJL 200	Temperature of the liquid max.	90 °C
Pump housing	Cast iron EN GJL 200	Suction height max	5 m
Mechanical seal	Graphite	Gasket	NBR 70 shore
Counterface	Ceramic		

ELECTRICAL DATA

Type of enclosure	IP 44	Insulation class	F
-------------------	-------	------------------	---

CM

Type	Code No.	Voltage	Motor rating		Current	Weight
			P1	P2		
CM 100/36 M	N418B180	1/N/PE~230 V	1.25 kW	0.75 kW	5.5 A	11 kg
CM 100/36 T	N418B160	3/PE~230/400 V	1.20 kW	0.90 kW	3.8 A/2.3 A	11 kg
CM 110/44 M	N4187090	1/N/PE~230 V	1.70 kW	1.10 kW	8.0 A	20 kg
CM 110/44 T	N4187100	3/PE~230/400 V	1.80 kW	1.10 kW	5.5 A/3.2 A	20 kg
CM 130/51 M	N4187110	1/N/PE~230 V	2.40 kW	1.50 kW	10.3 A	23 kg
CM 130/51 T	N4187120	3/PE~230/400 V	2.10 kW	1.50 kW	6.9 A/4.0 A	23 kg



DIMENSIONS [mm]

Type	A	B	C	D	F	H1	H2	DNA	DNM	E
CM 100/36 M/T	140	45	300	180	205	107	242	1"	1"	140
CM 110/44 M	95,5	45,5	347	194	200	100	252	1 1/4"	1"	155
CM 110/44 T	95,5	45,5	372	194	200	100	252	1 1/4"	1"	155
CM 130/51 M	95,5	45,5	360	220	225	115	285	1 1/4"	1"	180
CM 130/51 T	95,5	45,5	374	220	225	115	285	1 1/4"	1"	180

