

WATERPRESS INOX
BOOSTER SETS - FIX SPEED

- Continuous service in the building
- Ready to use
- Ideal as a water supply system
- High-efficiency motors according to EU(2019)/1781



ALL PUMPS DIRECT
FOR ALL YOUR PUMPING SOLUTIONS

UK's No.1 Supplier

www.allpumpsdirect.co.uk



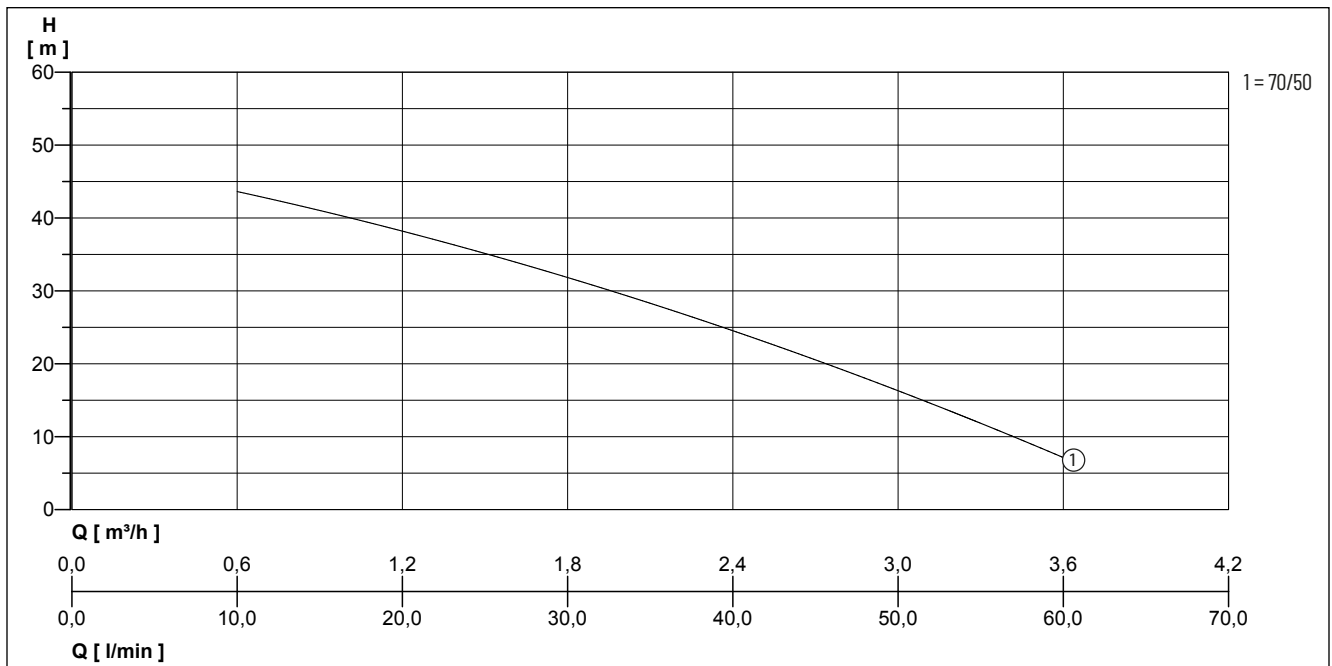
DESCRIPTION

The Pressure booster set WATERPRESS INOX are made with a JETINOX type pump. They are supplied wired, complete with a 24 lt expansion tank, ready for installation and use.

APPLICATIONS

- Lifting and distribution of water in domestic systems in continuous or intermittent operation
- Pressurization systems
- Washing and irrigation

PERFORMANCE



We reserve the right to change specifications without notice. Pump performance is subject to ISO 9906 ISO 9906:2012 - Grade 3B tolerances.

Type	Flow rate Q [m³/h]	0	1.2	2.4	3.6
WATERPRESS INOX 70/50	Delivery head H [m]	48.0	37.5	25.0	7.0

WATERPRESS INOX

BOOSTER SETS - FIX SPEED

MECHANICAL DATA

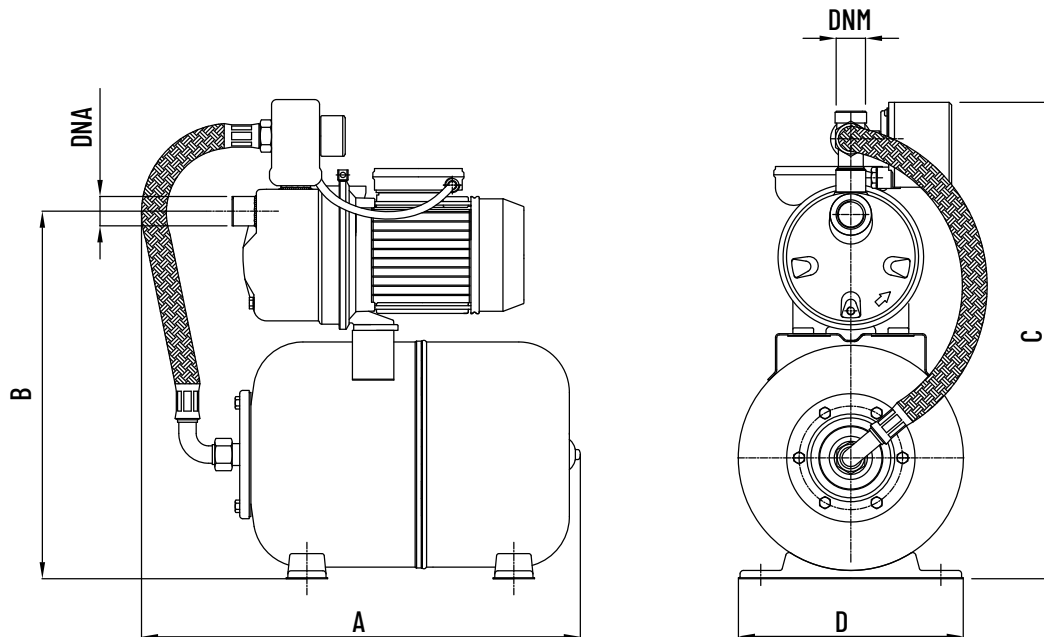
Shaft	Stainless steel X 12 CrNiS 1809 (AISI 416)	Counterface	Ceramic
Impeller	Technopolymer with stainless steel shim ring	Operating pressure max.	6 bar
Motor housing	Die-cast aluminium	Type of liquid	clean water without suspended solids or abrasive material
Pump housing	Stainless steel X5 CrNi 1810 (AISI 304)	Temperature of the liquid max.	50 °C
Diffuser	Technopolymer	Suction height max	8 m
Mechanical seal	Graphite	Gasket	NBR 70 shore
		Weight	13.8 kg

ELECTRICAL DATA

Voltage	1/N/PE~230 V	Power line	1.5 m H05 RN-F
Motor rating P1	1 kW	Type of enclosure	IP 44
Motor rating P2	0.55 kW	Insulation class	F
Current	4.5 A	Plug	Safety

WATERPRESS INOX

Type	Code No.
WATERPRESS INOX 70/50	N5209752



DIMENSIONS [mm]

Type	A	B	C	D	DNA	DNM
WATERPRESS INOX 70/50	520	445	565	260	1" F	1" F