

- Sturdy and resistant
- Self-priming
- Excellent priming capacity
- Many possible uses for residential market
- Wide range of performance levels for the residential market
- High-efficiency motors according to EU(2019)/1781



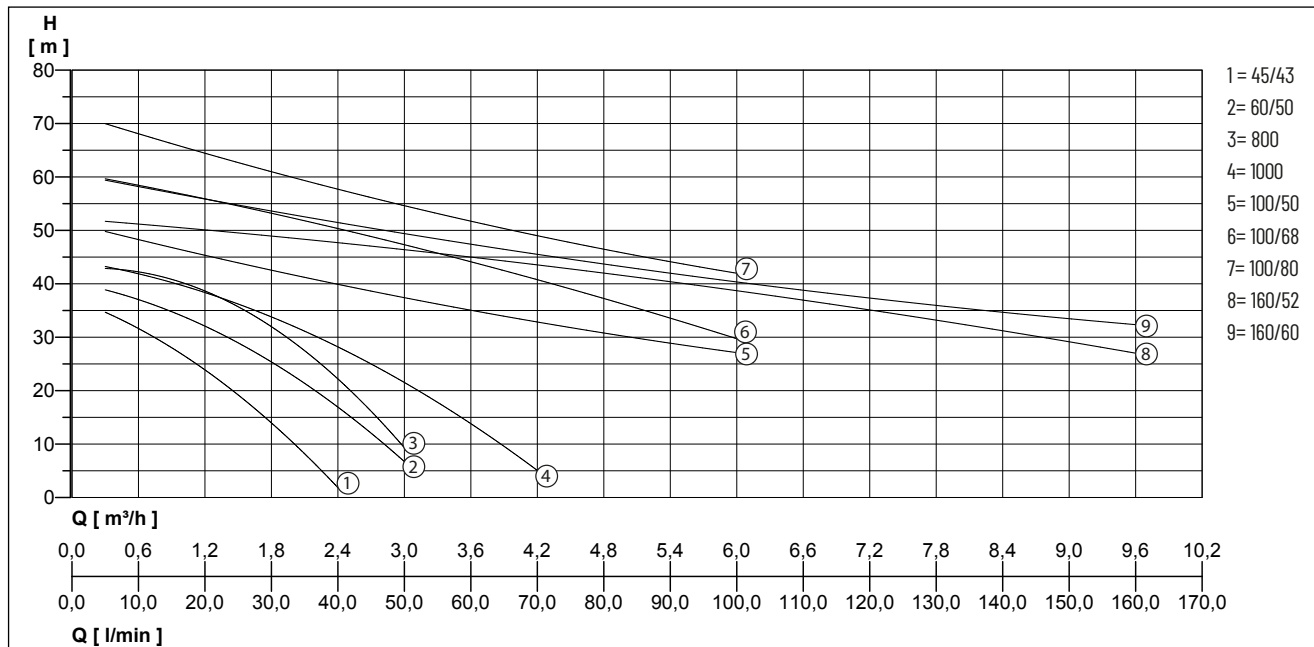
#### DESCRIPTION

The self-priming pumps in the JET range combine the advantages and practical features of centrifugal pumps with the functionality of self-priming pumps. The Venturi pipe system on these pumps guarantees optimal hydraulic performance and impressive suction capacity, maintaining priming even in the presence of air or gas bubbles trapped in the water.

#### APPLICATIONS

- Lifting and distribution of water in domestic systems in continuous or intermittent operation
- Pressurization systems
- Washing, garden irrigation, supply to fountains, transfers.
- Lifting from wells or tanks

#### PERFORMANCE



We reserve the right to change specifications without notice. Pump performance is subject to ISO 9906 ISO 9906:2012 - Grade 3B tolerances.

# JET

## SURFACE PUMPS - SELF-PRIMING

Type	Flow rate Q [m <sup>3</sup> /h]	0	0.3	0.6	1.2	1.8	2.4	3	3.6	4.2	4.8	6	7.8	9.6
NEWJET 45/43 M	Delivery head H [m]	43.0		30.0	23.0	16.0	1.0							
NEWJET 60/50 M		43.0		36.0	31.0	26.0	18.0	6.0						
JET 800 M/T			44.0		36.0	31.0	27.0	7.0						
JET 1000 M/T			45.0		36.0	32.0	28.0	25.0	15.0	3.0				
JET 100/50 M/T			50.0		45.0		40.0		35.0		31.0	27.0		
JET 100/68 M/T			60.0		55.5		49.0		47.5		34.5	30.5		
JET 100/80 T			70.0		64.3		58.0		51.5		46.5	42.0		
JET 160/52 M/T			52.0		49.5		48.0		45.0		42.0	38.7	33.2	27.0
JET 160/60 T			59.0		55.6		53.0		47.0		43.4	40.0	36.0	32.5

### MECHANICAL DATA

Shaft	Stainless steel X 12 CrNiS 1809 (AISI 416)	Type of liquid	clean water without suspended solids or abrasive material
Pump housing	Cast iron EN GJL 200	Temperature of the liquid max.	50 °C
Diffuser	Technopolymer	Suction height max	8 m
Mechanical seal	Graphite	Gasket	NBR 70 shore
Counterface	Ceramic		

### ELECTRICAL DATA

Insulation class	F	Ambient temperature max.	40 °C
------------------	---	--------------------------	-------

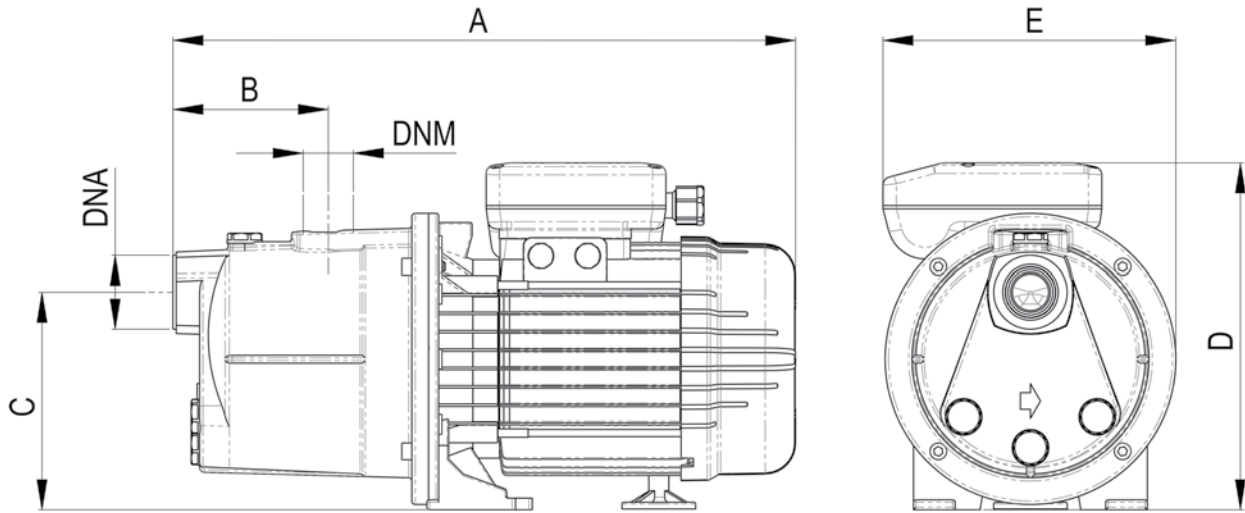
### JET

Type	Code No.	Voltage	Motor rating		Current	Type of enclosure	Motor housing	Weight
			P1	P2				
<b>Operating pressure max.:6 bar, Impeller: Technopolymer with stainless steel shim ring</b>								
NEWJET 45/43 M	<b>N4176050</b>	1/N/PE~230 V	0.60 kW	0.37 kW	3.0 A	IP55 (if installed on motors with a degree of protection IP55 or above)	Aluminum	8.2 kg
NEWJET 60/50 M	<b>N4176582</b>	1/N/PE~230 V	0.72 kW	0.45 kW	3.2 A	IP 44	Aluminum	9.0 kg
<b>Operating pressure max.:6 bar, Impeller: Technopolymer/Moulded brass alloy</b>								
JET 800 M	<b>N4176552</b>	1/N/PE~230 V	1.00 kW	0.45 kW	4.5 A	IP 44	Cast iron EN GJL 200	14.2 kg
JET 800 T	<b>N4177030</b>	3/PE~230/400 V	0.90 kW	0.75 kW	3.3 A/1.8 A	IP 44	Cast iron EN GJL 200	14.2 kg
JET 1000 M	<b>N4173012</b>	1/N/PE~230 V	1.00 kW	0.55 kW	4.5 A	IP 44	Cast iron EN GJL 200	16.8 kg
JET 1000 T	<b>N4177040</b>	3/PE~230/400 V	0.95 kW	0.75 kW	3.4 A/1.9 A	IP 44	Cast iron EN GJL 200	16.8 kg
<b>Operating pressure max.:10 bar, Impeller:Moulded brass alloy</b>								
JET 100/50 M	<b>N4175010</b>	1/N/PE~230 V	1.70 kW	1.10 kW	8.1 A	IP 44	Cast iron EN GJL 200	25.5 kg
JET 100/50 T	<b>N4175020</b>	3/PE~230/400 V	1.80 kW	1.10 kW	5.5 A/3.2 A	IP 44	Cast iron EN GJL 200	25.5 kg
JET 100/68 M	<b>N4175030</b>	1/N/PE~230 V	2.10 kW	1.50 kW	9.8 A	IP 44	Cast iron EN GJL 200	26.6 kg
JET 100/68 T	<b>N4175040</b>	3/PE~230/400 V	2.80 kW	1.50 kW	5.5 A/3.2 A	IP 44	Cast iron EN GJL 200	26.6 kg
JET 100/80 T	<b>N4175050</b>	3/PE~230/400 V	2.60 kW	2.20 kW	8.1 A/4.7 A	IP 44	Cast iron EN GJL 200	28.1 kg
JET 160/52 M	<b>N4175080</b>	1/N/PE~230 V	2.30 kW	1.50 kW	10.5 A	IP 44	Cast iron EN GJL 200	26.6 kg
JET 160/52 T	<b>N4175090</b>	3/PE~230/400 V	2.10 kW	1.50 kW	6.9 A/4.0 A	IP 44	Cast iron EN GJL 200	26.6 kg
JET 160/60 T	<b>N4175100</b>	3/PE~230/400 V	2.60 kW	2.20 kW	8.1 A/4.7 A	IP 44	Cast iron EN GJL 200	28.1 kg

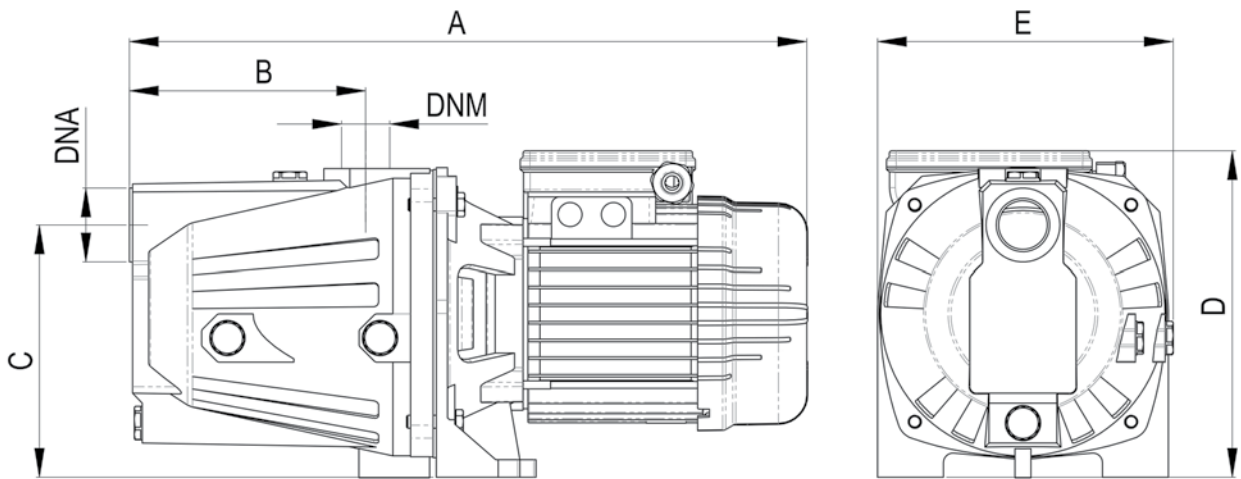
# JET

SURFACE PUMPS - SELF-PRIMING

Version NEWJET



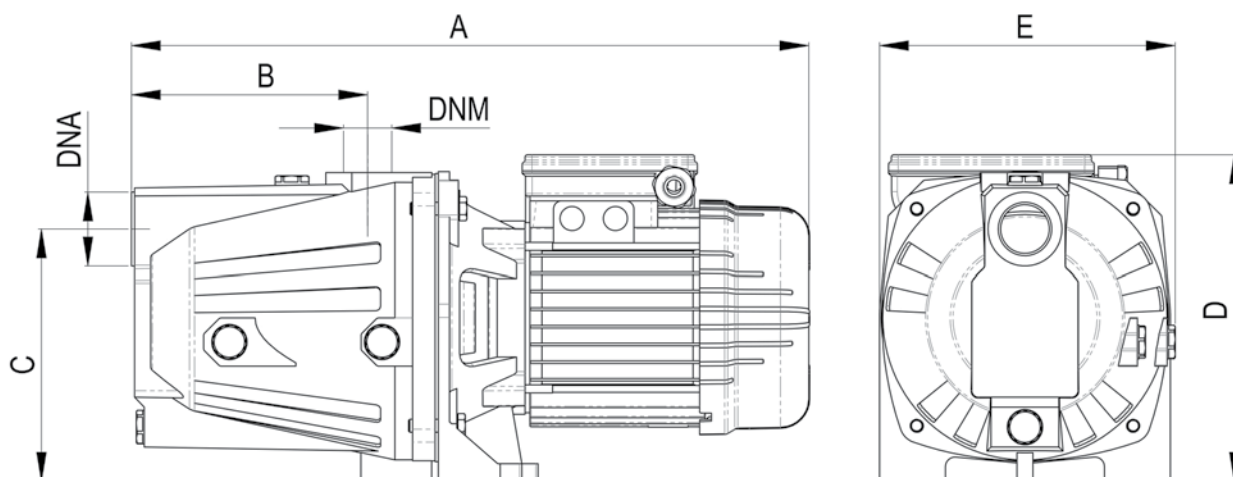
Version 800-1000



# JET

## SURFACE PUMPS - SELF-PRIMING

Version 100-160



### DIMENSIONS [mm]

Type	A	B	C	D	F	G	DNA	DNM	E
NEWJET 45/43 M	351	93	130	199			1"	1"	177
NEWJET 60/50 M	371	93	130	207			1"	1"	177
JET 800 M/T	421	147	160	207	215	140	1"	1"	182
JET 1000 M/T	421	147	160	207	215	140	1"	1"	182
JET 100/50 M	508	157	170	247	223	157	1 1/2"	1"	220
JET 100/50 T	520	157	170	247	223	157	1 1/2"	1"	220
JET 100/68 M	508	157	170	247	223	157	1 1/2"	1"	220
JET 100/68 T	520	157	170	247	223	157	1 1/2"	1"	220
JET 100/80 T	521	157	170	207	223	157	1 1/2"	1"	220
JET 160/52 M	508	157	170	247	223	157	1 1/2"	1"	220
JET 160/52 T	521	157	170	247	223	157	1 1/2"	1"	220
JET 160/60 T	521	157	170	207	223	157	1 1/2"	1"	220

